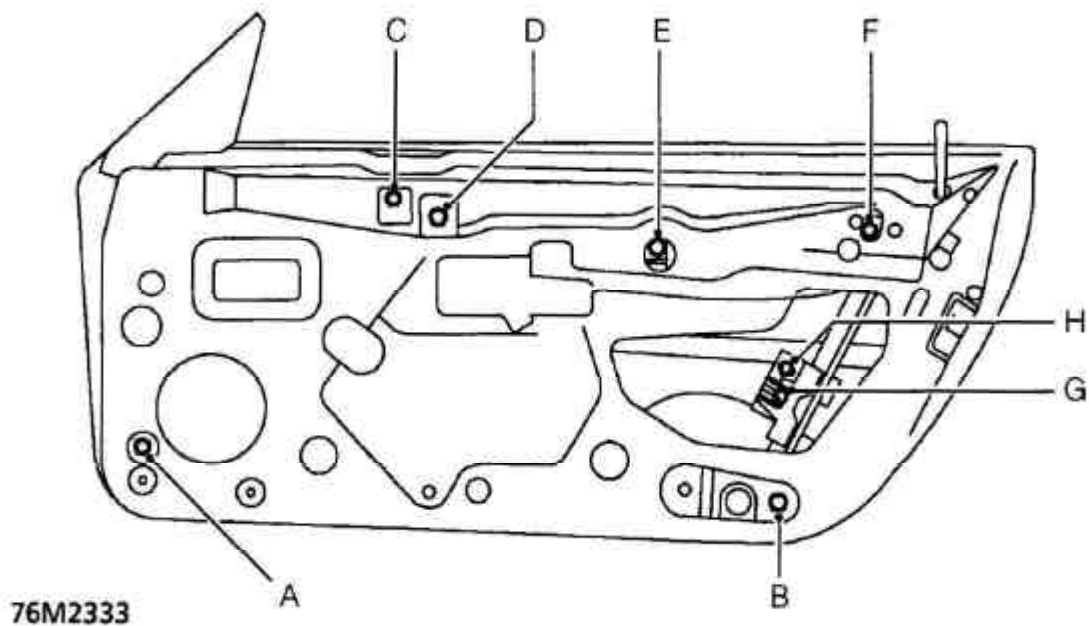




Door Glass



A: This gives glass deflection adjustment (pivoting at waist rail).

B: This gives glass deflection adjustment (pivoting at waist rail).

C: This gives glass height adjustment (this is also the glass stop).

D: This gives glass lateral and vertical adjustment.

E: This gives glass lateral and vertical adjustment.

F: These give glass height adjustment (this is also the glass stop).

G: This is used at beginning of adjustment to position the door glass centrally in waist rail slot. Tighten bolt to 7 Nm.

H: This is positioned at rear glass rail at final stage of adjustment and tightened to 7 Nm.