

---

---

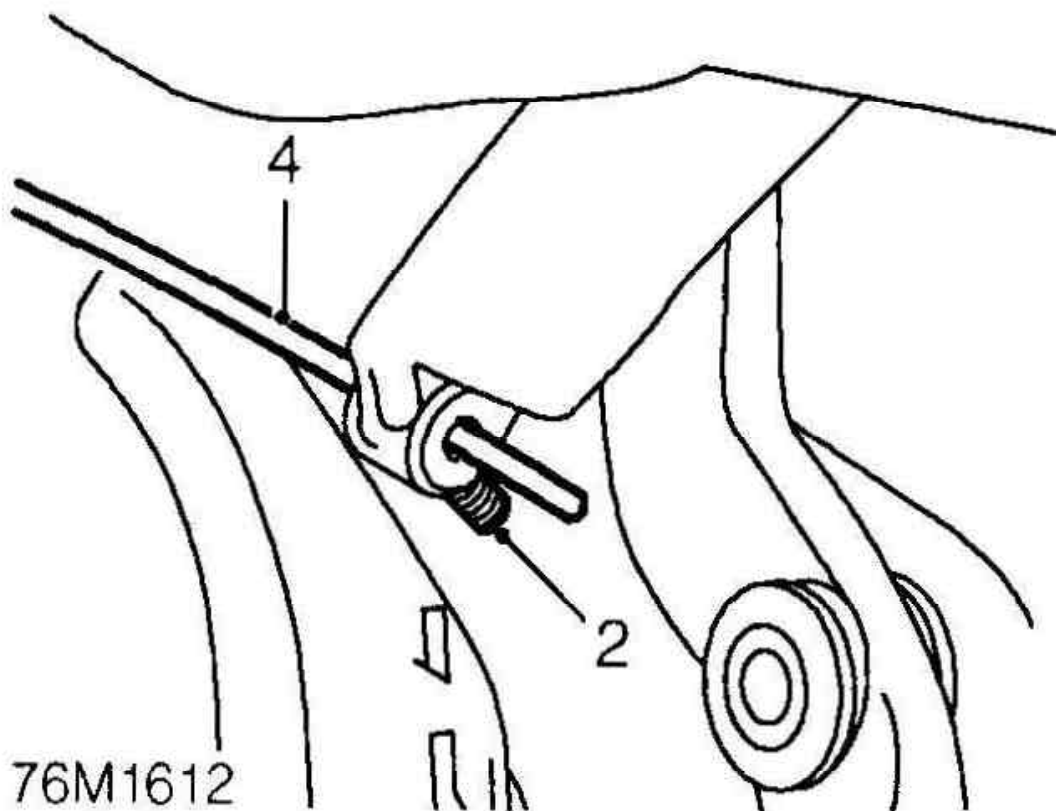
## CANTRAIL TENSIONING CABLES - ADJUST

---

---

Service repair no - 76.61.25

1. Partially lower hood.



2. Loosen cable locking screws.
3. Raise hood fully, but do not secure catches.
4. Using pliers, pull cables taught and tighten locking screws.
5. Secure hood catches and check cable tension.
6. If necessary, release hood catches, slacken cable locking screws and adjust cable tension. Tighten locking screws.
7. Secure catches.