



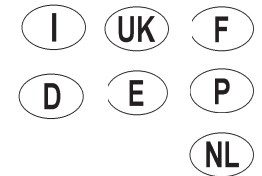
by

GEMINI TRADING s.r.l.

via Luigi Galvani 12 (ex via alla cava 4)- 21020 Bodio Lomnago (Va) Italy

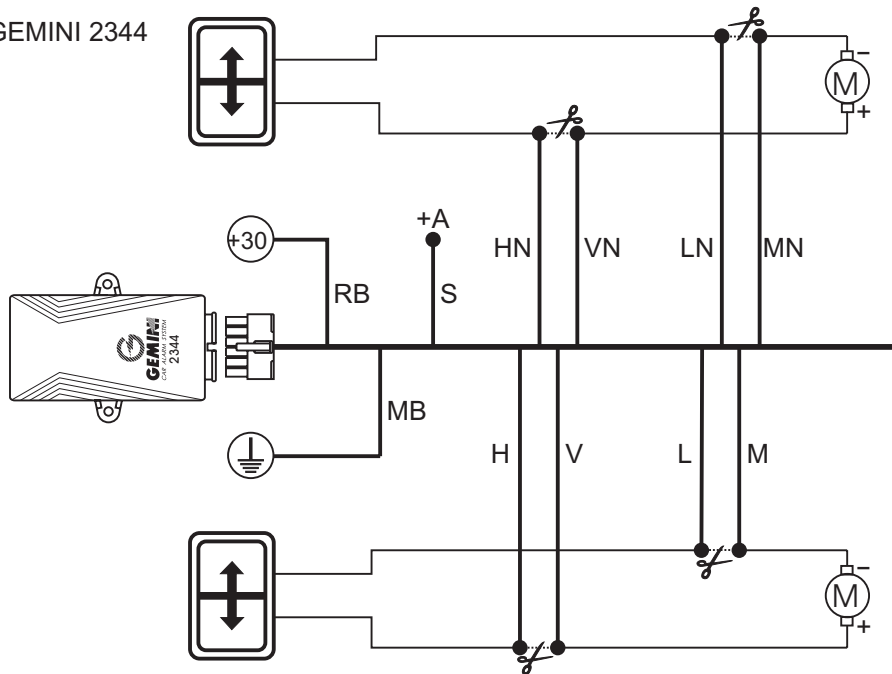
Tel : 0039 332 943211 Fax : 0039 332 948080

# GEMINI 2344



AC 2446 - REV. 00 / 05 / 98

GEMINI 2344



	I	GB	F	D	E	P	NL
RB	ROSSO-BIANCO	RED-WHITE	ROUGE-BLANC	ROT-WEISS	ROJO-BLANCO	VERMELHO - BRANCO	ROOD-WITT
MB	MARRONE-BIANCO	BROWN-WHITE	MARRON-BLANC	BRAUN-WEISS	MARRON-BLANCO	MARRON-BRANCO	BRUIN-WITT
S	ROSA	PINK	ROSE	ROSA	ROSA	ROSA	ROZE
H	GRIGIO	GREY	GRIS	GRAU	GRIS	CINZA	GRUJS
V	VERDE	GREEN	VERT	GRÜN	VERDE	VERDE	GROEN
L	BLU	BLUE	BLEU	BLAU	AZUL	AZUL	BLAUW
M	MARRONE	BROWN	MARRON	BRAUN	MARRON	MARRON	BRUIN
N	NERO	BLACK	NOIR	SCWHARZ	NEGRO	PRETO	ZWART



## INSTRUCTIONS FOR GEMINI 2344 ELECTRIC WINDOWS MODULE.

The module 2344, when it is connected with a remote controlled system, close two windows together with the arming of the system.

### Wiring instructions (for installer):

- Disconnect the negative terminal of the battery and only reconnect it after the installation is completed.
- **Earth** ⇨ **BROWN-WHITE** wire.
- **Battery positive terminal** ⇨ **RED-WHITE** wire.
- **Positive alarm armed** ⇨ **PINK** wire (to system pink wire)

### FOR EVERY WINDOWS CONNECT AS FALLOWS.

- Isolate the wire that supplies the positive feed to close the window and connect the two halves to the GREY (switch side) and GREEN (engine side) wires.
- Isolate the wire that supplies the negative feed to close the window and connect the two halves to the BLUE (switch side) and BROWN (engine side) wires.

**NOTE:** The wires of one channel have a black line on. These wires are the equivalent of the ones without the black on. For an electric window system with negative common, it is enough to only isolate the wire that supplies the positive pulse to close the window.

### TECHNICAL DATA

Power supply	10 ÷ 14VDC
Current drain	1 mA
Contacts relay's output capacity	25A

### WARRANTY

*This device is guaranteed against construction or working faults for 12 months from purchase date and for a maximum of 24 months from manufacturing date.*

The manufacturer and his agents declines all responsibility for any possible defect or failure to the device and to the vehicle's electric system due to incorrect installation or to the alteration of the indicated Technical Features.